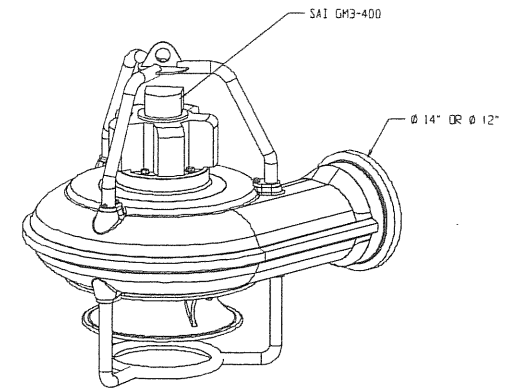



CONSTRUCTION : CAST BODY IMPELLOR, BELLMOUTH,
 HOSE ADAPTOR AND FABRICATED FRAME
 HYDRAULIC MOTOR : SAI GM3 (400) D47
 MAX PRESSURE : 250 BAR
 FLOW : 200 - 220 l/min
 PUMPING CAPACITY : UP TO 1500 m³/HOUR FISH/WATER MIX
 MASS : 230 Kg DRY.

REV	DATE	DRAWN	APPROV	DESCRIPTION
0	01/10/01	J.C		NEW DRAWING TO MOD 122/01
1	09/07/01	E.S		UPDATE DRAWING TO MOD 302/01
2	28/08/01	McL		UPDATE DRAWING TO MOD 328/01
3	31/10/01	McL		PORTS & ROTATION ADDED. MOD 328/01



ASOILPOWER
HYDRAULICS
 Boven 2 - DK-6700 Esbjerg
 Tlf. 75 12 55 55 - Fax 75 12 57 09

TITLE FISH PUMP FP - 1500 SALES DRAWING	DRAWN E.S	DATE 09/07/01
	CHECKED	DATE
 PETREL ENGINEERING	SCALE 1:1	C/A. NO MS172
	ITEM NO.	
WHILST EVERY CARE IS TAKEN TO ENSURE THE ACCURACY OF THE INFORMATION CONTAINED HEREIN, PETREL ENGINEERING (PTY) LTD CANNOT ACCEPT RESPONSIBILITY FOR OMISSIONS OR ERRORS AND RESERVES THE RIGHT TO ALTER SPECIFICATIONS WITHOUT NOTICE.	DRG. NO. MS011	REV. 3

THIS DRAWING AND THE INFORMATION IT CONTAINS ARE THE PROPERTY OF PETREL ENGINEERING (PTY) LTD 91/03502/07
 IT IS NOT TO BE COPIED, REPRODUCED OR PASSED TO ANY PERSON OR FIRM WITHOUT WRITTEN CONSENT.